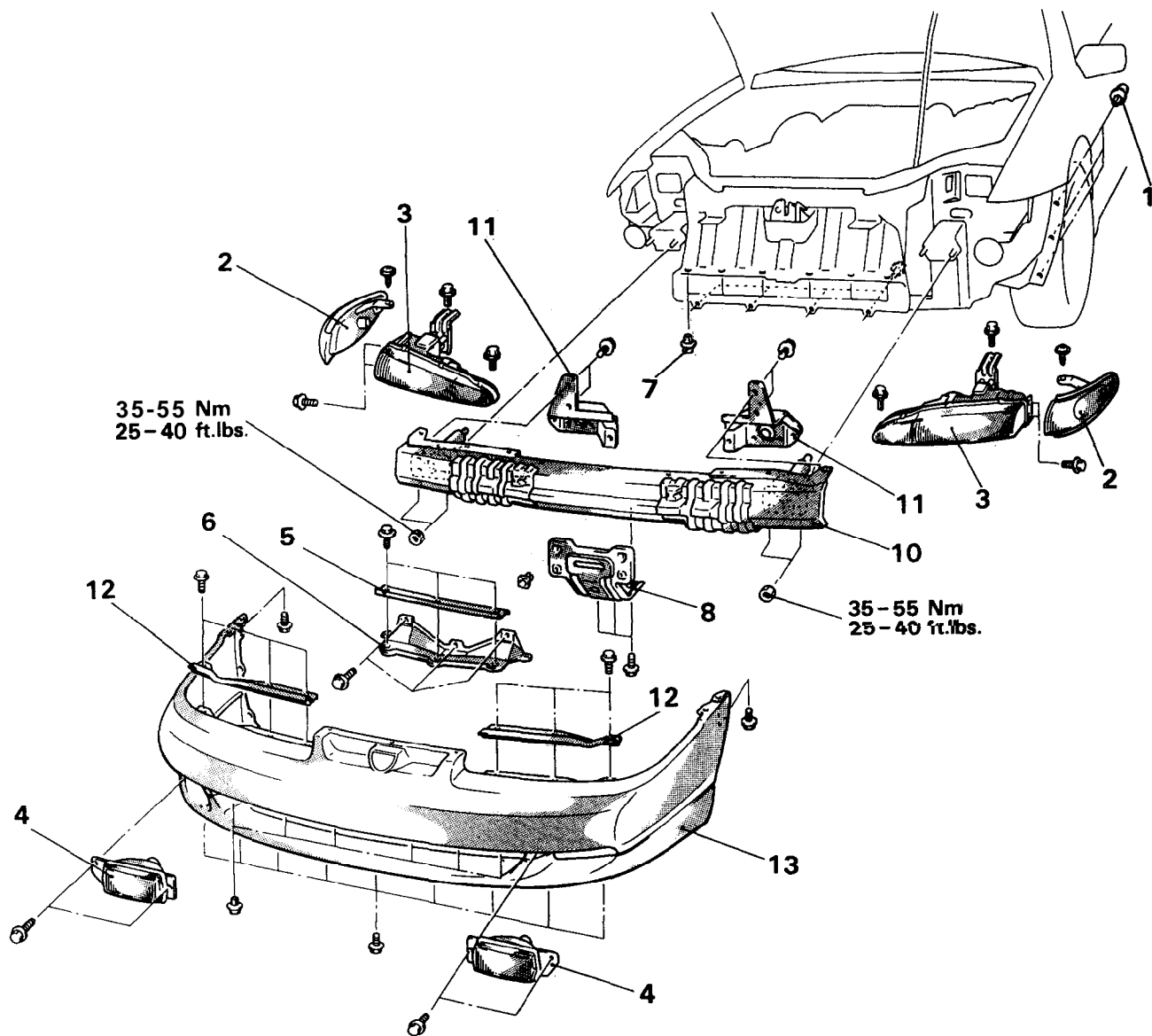


FRONT BUMPER

N23ZAAY

REMOVAL AND INSTALLATION

<EAGLE Talon>



Front bumper assembly removal steps

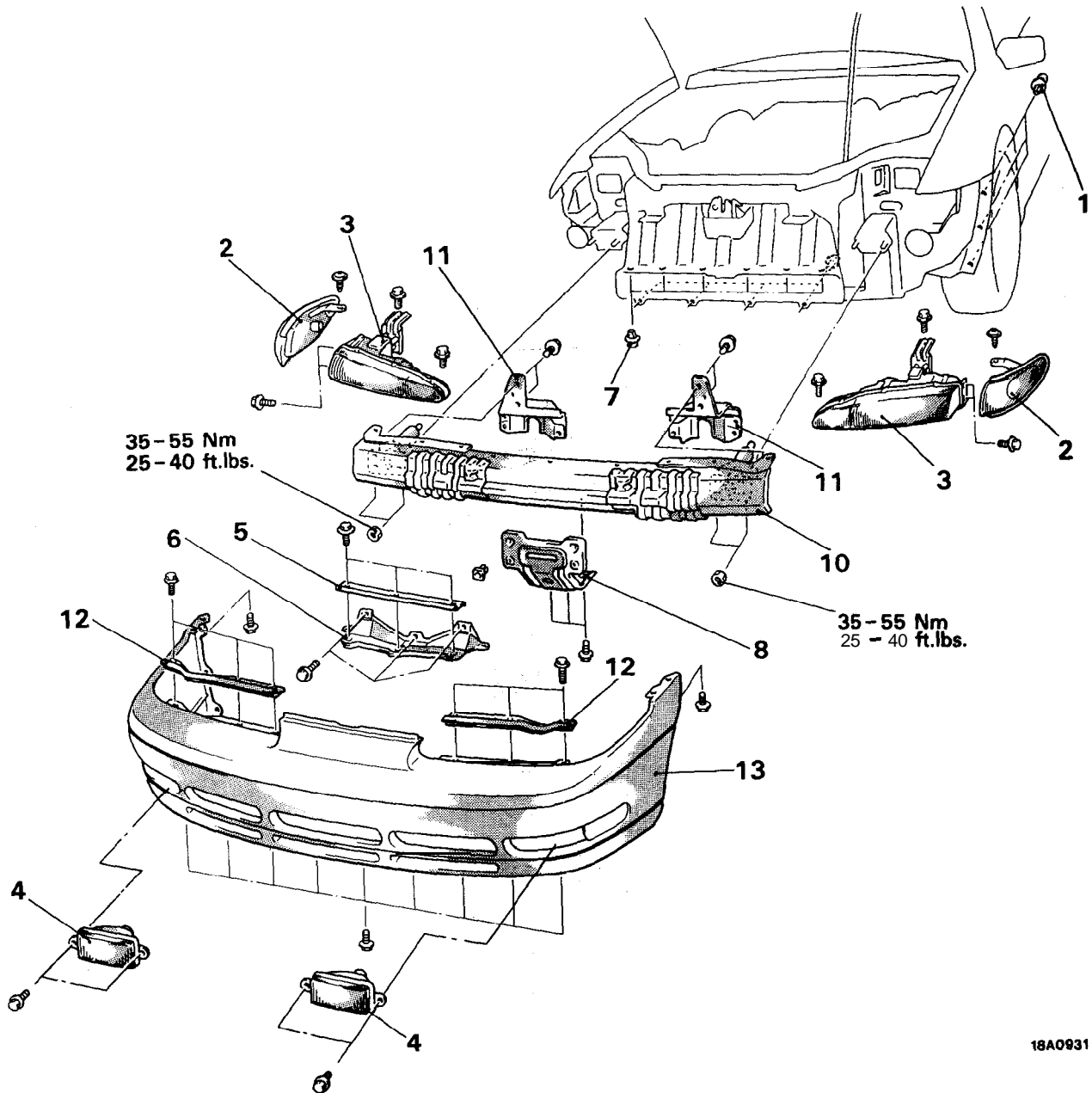
1. Splash shield mounting clip
2. Front combination light
3. Headlight
4. Fog light
5. Center upper plate
6. Front fascia bracket
7. Clip
8. License plate bracket
9. Front bumper assembly (No. 1 O-I 3)
10. Front bumper reinforcement
11. Fog light bracket
12. Side upper plate
13. Front bumper fascia

Front bumper fascia removal steps

1. Splash shield mounting clip
2. Front combination light
3. Headlight
4. Fog light
5. Center upper plate
6. Front fascia bracket
7. Clip
8. License plate bracket
12. Side upper plate
13. Front bumper fascia

NOTE
Reverse the removal procedures to reinstall.

<PLYMOUTH Laser>



18A0931

Front bumper assembly removal steps

1. Splash shield mounting clip
2. Front combination light
3. Headlight
4. Fog light
5. Center upper plate
6. Front fascia bracket
7. Clip
8. License plate bracket
9. Front bumper assembly (No. 1 O-I 3)
10. Front bumper reinforcement
11. Fog light bracket
12. Side upper plate
13. Front bumper fascia

Front bumper fascia removal steps

1. Splash shield mounting clip
2. Front combination light
3. Headlight
4. Fog light
5. Center upper plate
6. Front fascia bracket
7. Clip
8. License plate bracket
12. Side upper plate
13. Front bumper fascia

NOTE

Reverse the removal procedures to reinstall.