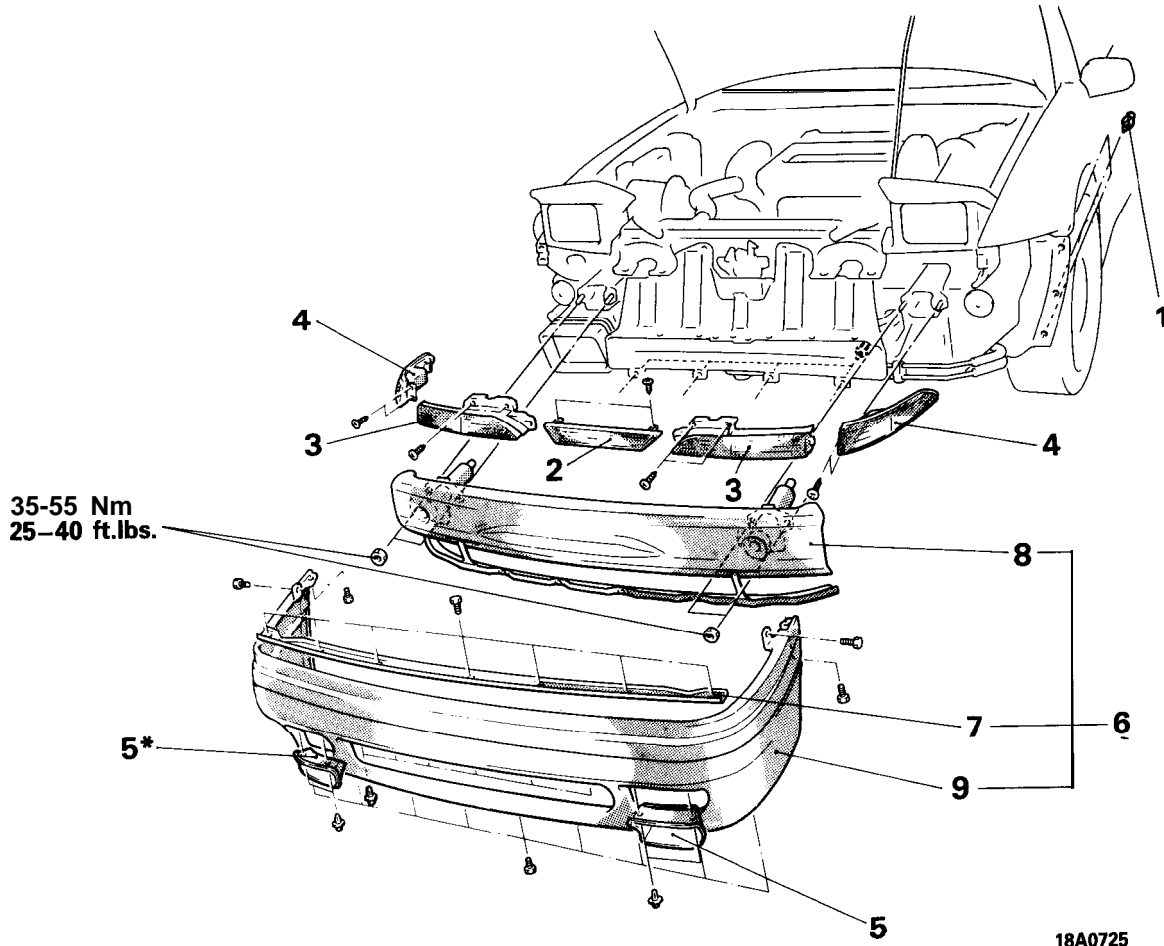


**FRONT BUMPER**

**REMOVAL AND INSTALLATION**

< Normal type >



**Front bumper assembly removal steps**

- ◆◆ 1. Splash shield mounting clip
- ◆◆ 2. Front garnish
- ◆◆ 3. Front turn signal light
- ◆◆ 4. Front combination light
- ◆◆ 5. Air intake cover
- ◆◆ 6. Front bumper assembly
- ◆◆ 7. Fascia upper plate
- ◆◆ 8. Front bumper reinforcement assembly
- ◆◆ 9. Front bumper fascia

**Front bumper fascia removal steps**

- ◆◆ 1. Splash shield mounting clip
- ◆◆ 2. Front garnish
- ◆◆ 3. Front turn signal light
- ◆◆ 4. Front combination light
- ◆◆ 5. Air intake cover
- ◆◆ 7. Fascia upper plate
- ◆◆ 9. Front bumper fascia

**NOTE**

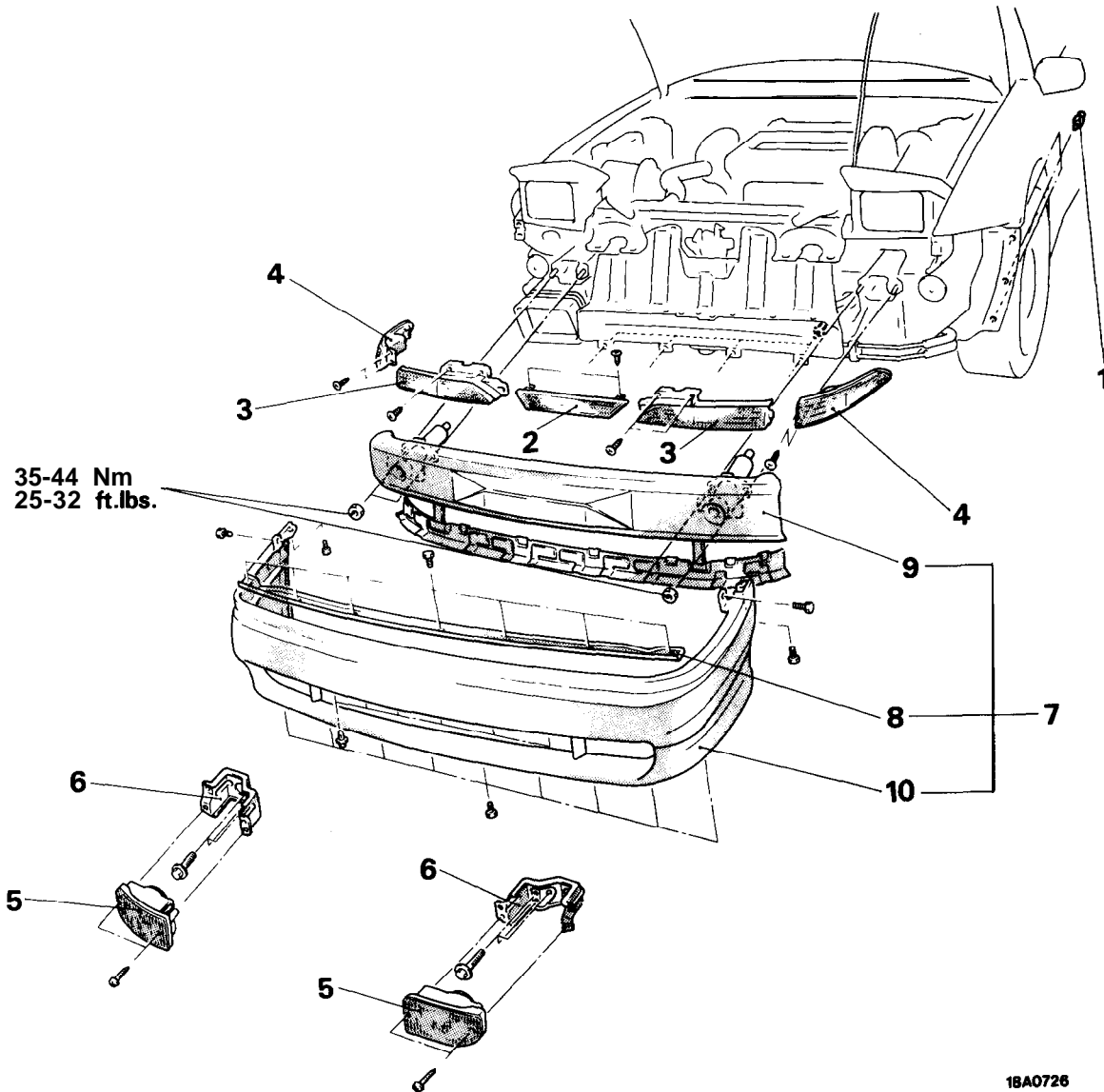
- (1) Reverse the removal procedures to reinstall.
- (2) ◆◆: Refer to "Service Points of Removal".
- (3) .: <Non-turbo>

**SERVICE POINTS OF REMOVAL**

**2. REMOVAL OF FRONT GARNISH**

Refer to P.23-47.

< Large type >



18A0726

**Front bumper assembly removal steps**

- ◆◆ 1. Splash shield mounting clip
- ◆◆ 2. Front garnish
- ◆◆ 3. Front turn signal light
- ◆◆ 4. Front combination light
- ◆◆ 5. Front fog light
- ◆◆ 6. Fog light bracket
- ◆◆ 7. Front bumper assembly
- ◆◆ 8. Fascia upper plate
- ◆◆ 9. Front bumper reinforcement assembly
- ◆◆ 10. Front bumper fascia

**Front bumper fascia removal steps**

- ◆◆ 1. Splash shield mounting clip
- ◆◆ 2. Front garnish
- ◆◆ 3. Front turn signal light
- ◆◆ 4. Front combination light
- ◆◆ 5. Front fog light
- ◆◆ 8. Fascia upper plate
- ◆◆ 10. Front bumper fascia

NOTE  
 (1) Reverse the removal procedures to reinstall.  
 (2) ◆◆: Refer to "Service Points of Removal".

**SERVICE POINTS OF REMOVAL**

**2. REMOVAL OF FRONT GARNISH**

Refer to P.23-47.